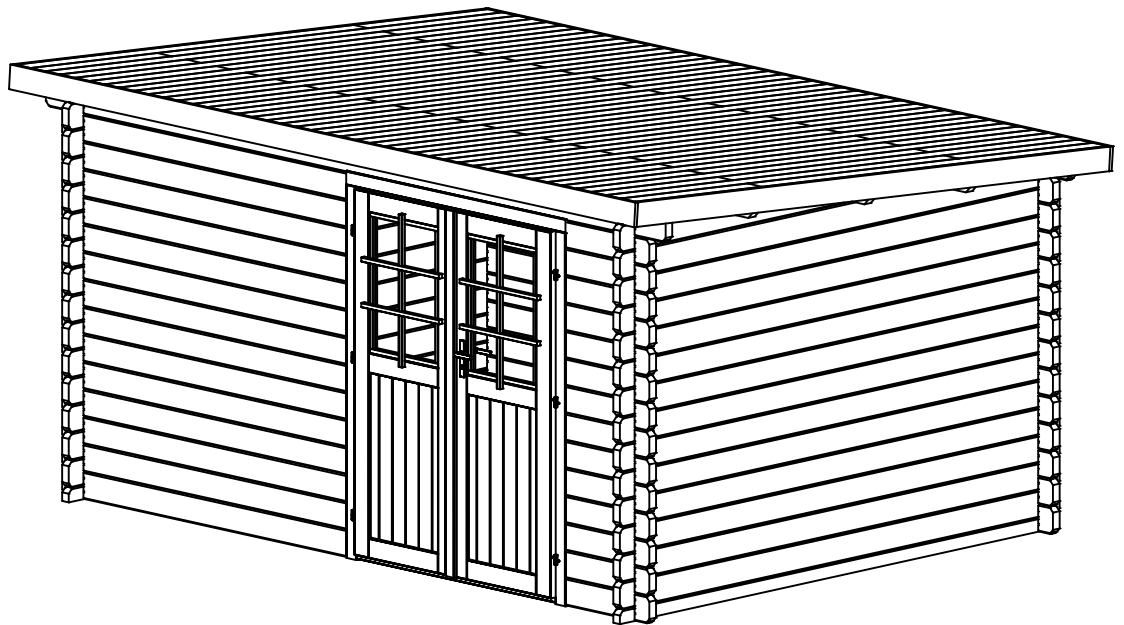


ASSEMBLY INSTRUCTIONS

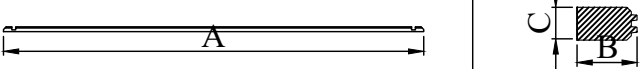
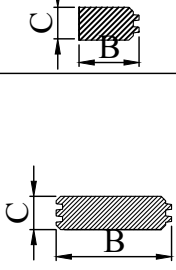
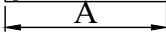


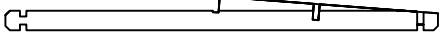
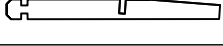
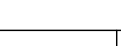
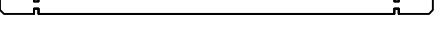
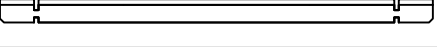
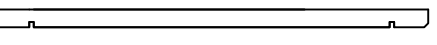
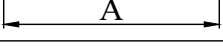
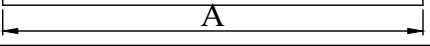
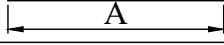
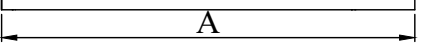

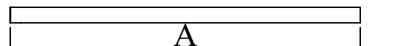
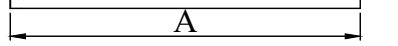

OSTEN with ISO Glass

4 x 3 m, 44mm

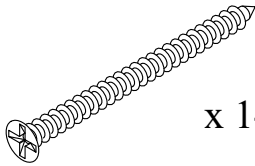
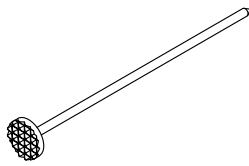
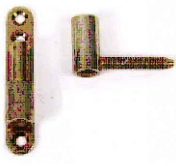

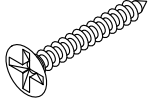
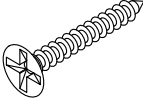
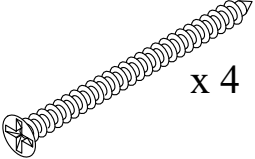



Before beginning the assembly of your garden shed, please read the instructions carefully and follow them closely. By doing so you will avoid unnecessary problems and save time. It is recommended to start the assembly process only once all the components of your shed identified have been identified, analyzed and classified. This notice also contains recommendations related to maintenance of your shed.

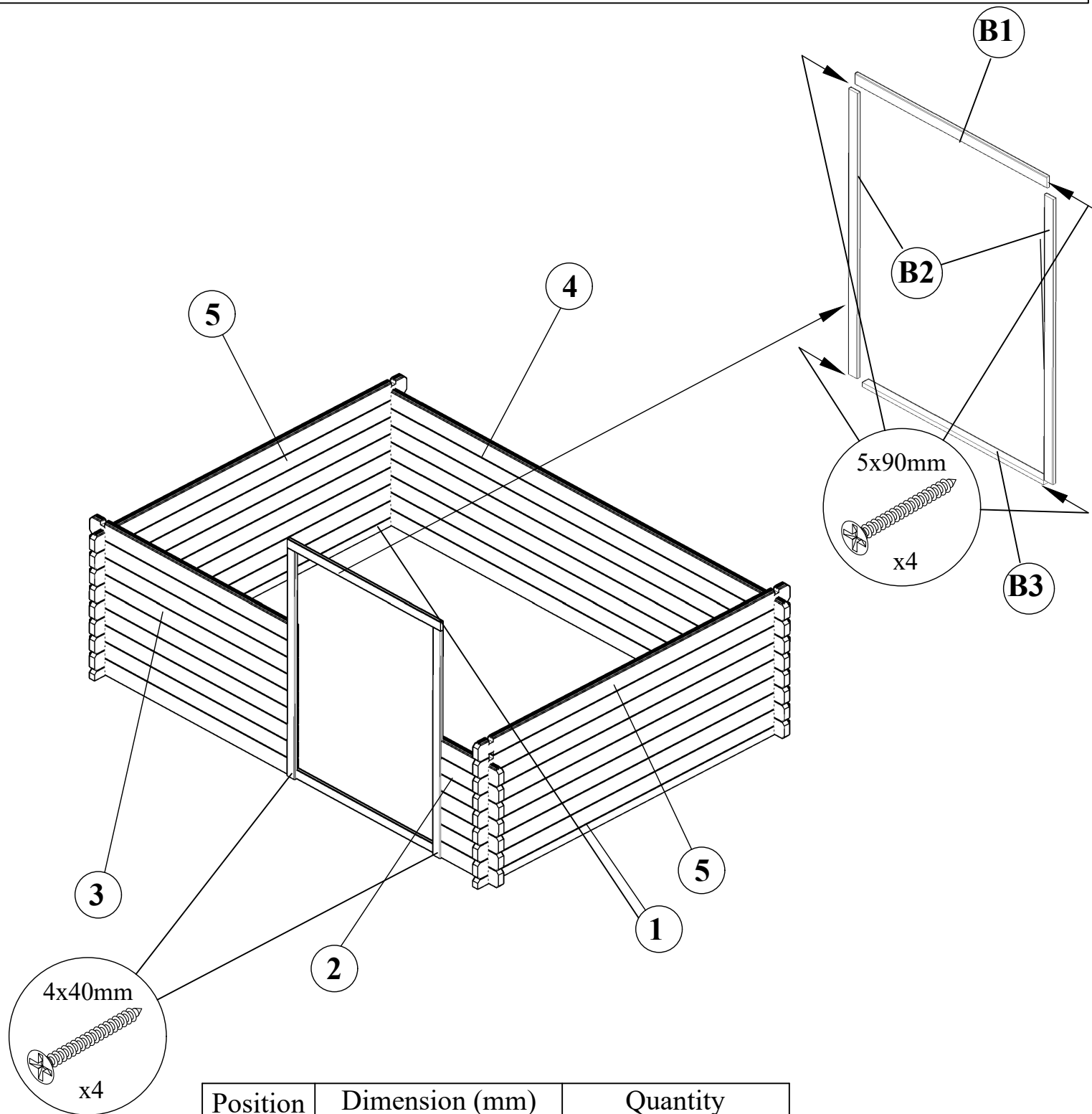
LIST OF ALL PARTS

Pos.	Quantity	Dimension, mm			Details	
		A	B	C		
1	x 2	2980	68	44		
2	x 14	580	135	44		
3	x 14	1980	135	44		
4	x 14+1	3980	135	44		
5	x 26	2980	135	44		
6	x 2	2980	135	44		
7	x 2	1470	135	44		
8	x 2	782	135	44		
9	x 1	4200	135	44		
10	x 1	4200	195	44		
11	x 3	4200	140	44		
B1	x 1	1524	90	82		
B2	x 2	1860	90	82		
B3	x 1	1320	44	40		
12	x 47+2	3180	90	17		
13	x 4	2120	90	19		
14	x 2	3180	90	19		
15	x 4	2100	30	30		
16	x 1+1	665	1820	40		

The number in brackets shows the number of existing spare details.

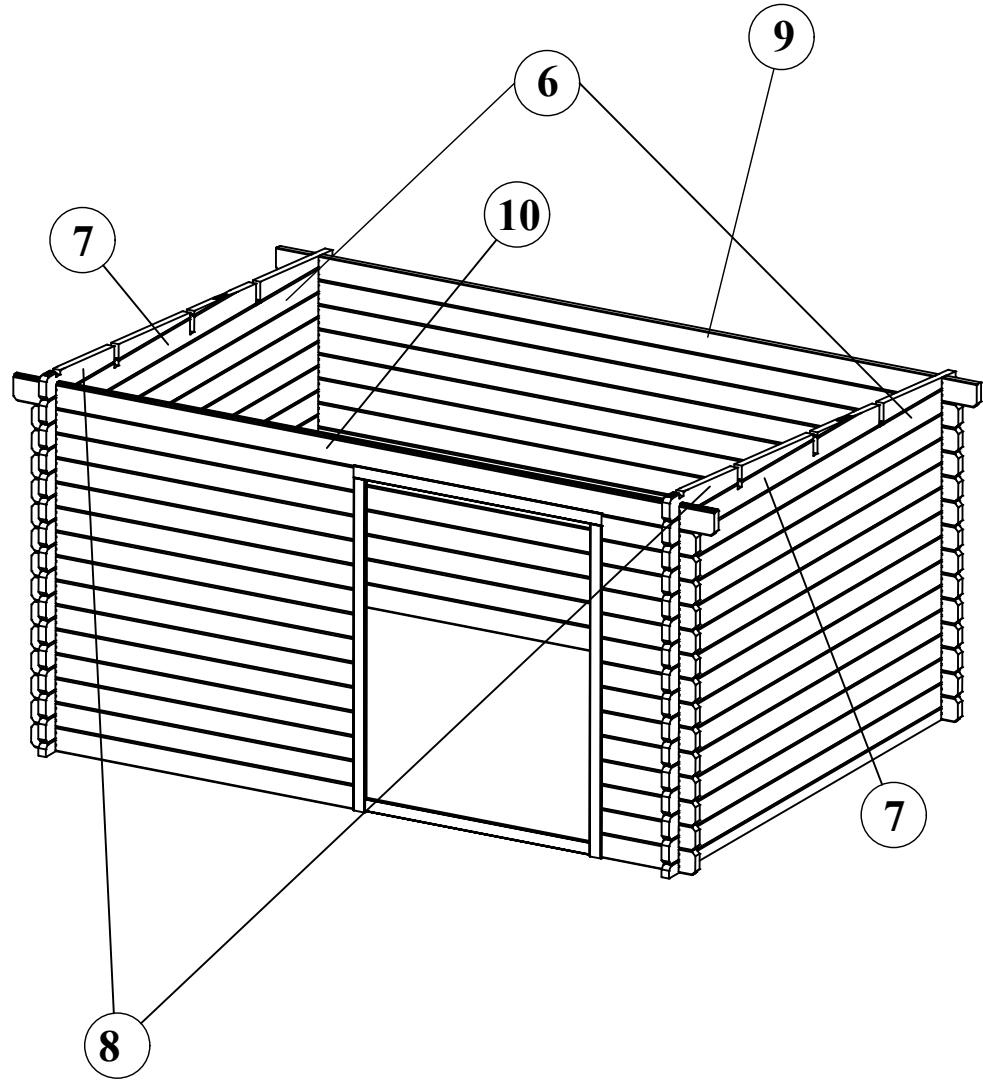
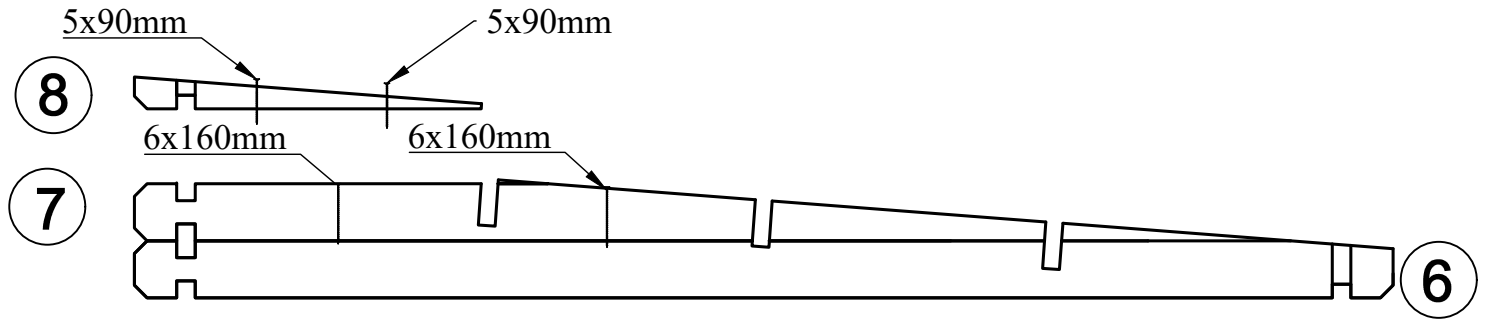
5 x 90	2 x 40	09 13 GZN	AH9213
 x 14	 x 250	 x 6	 x 1
3 x 20	4 x 40	6 x 160	WRO50
 x 12	 x 84	 x 4	 x 2

Assembly of walls and the frame of the door



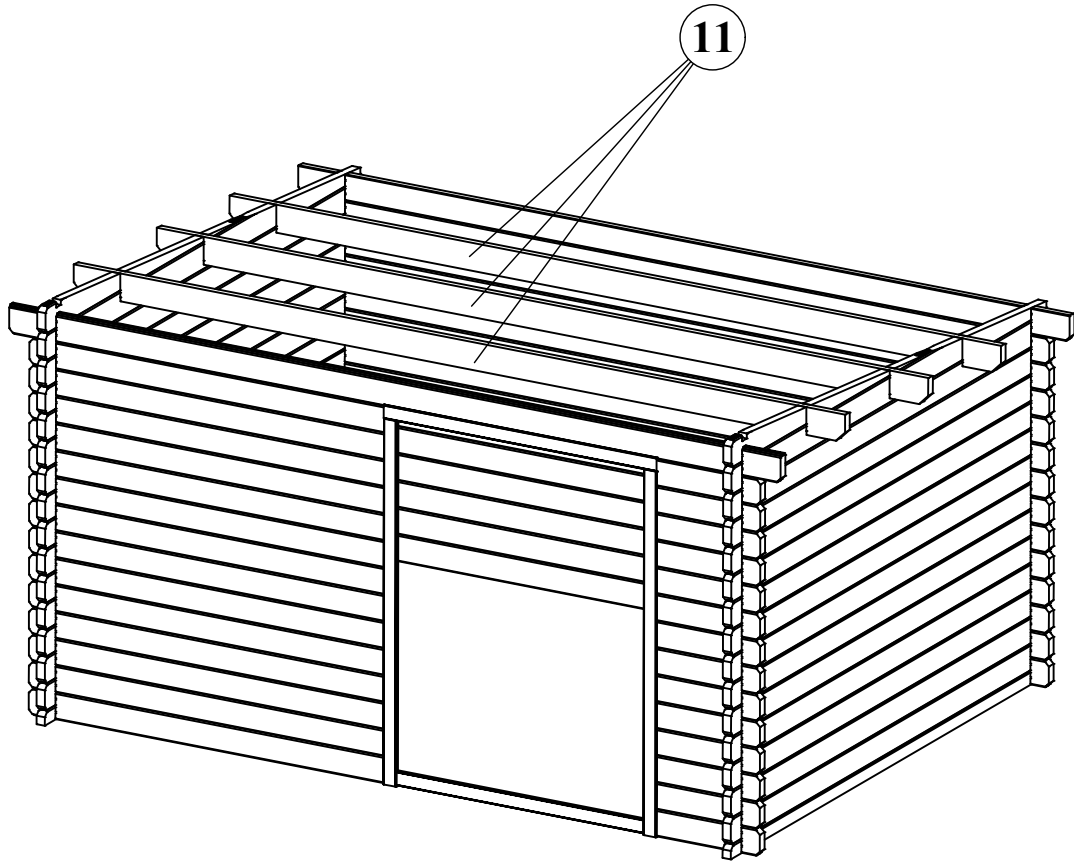
Position	Dimension (mm)	Quantity
1	2980 x 67.5 x 44	2
2	580 x 135 x 44	14
3	1980 x 135 x 44	14
4	3980 x 135 x 44	14+1
5	2980 x 135 x 44	26
B1	1524 x 90 x 82	1
B2	1860 x 90 x 82	2
B3	1320 x 40 x 44	1

Assembly of top wall-boards and gables



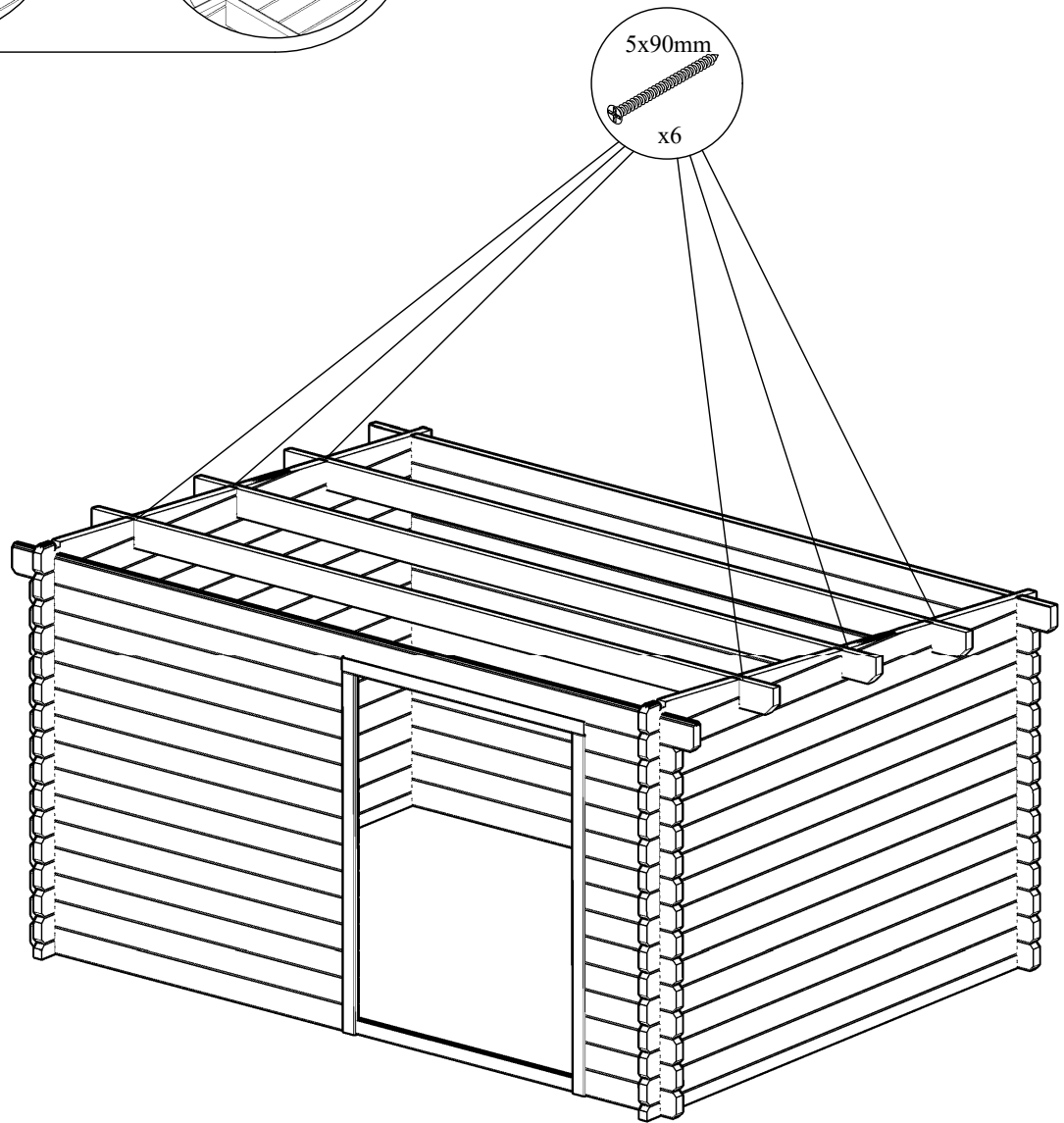
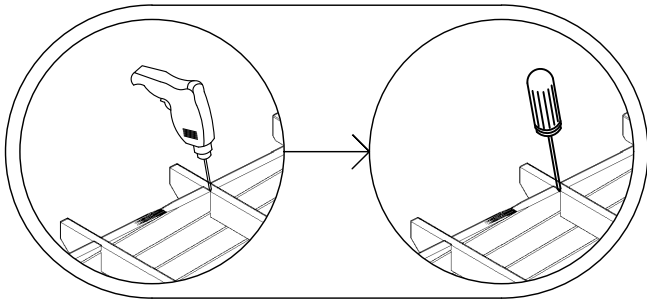
Position	Dimension (mm)	Quantity
6	2980 x 135 x 44	2
7	1470 x 135 x 44	2
8	782 x 75 x 44	2
9	4200 x 135 x 44	1
10	4200 x 195 x 44	1

Assembly of the gable and roof beams

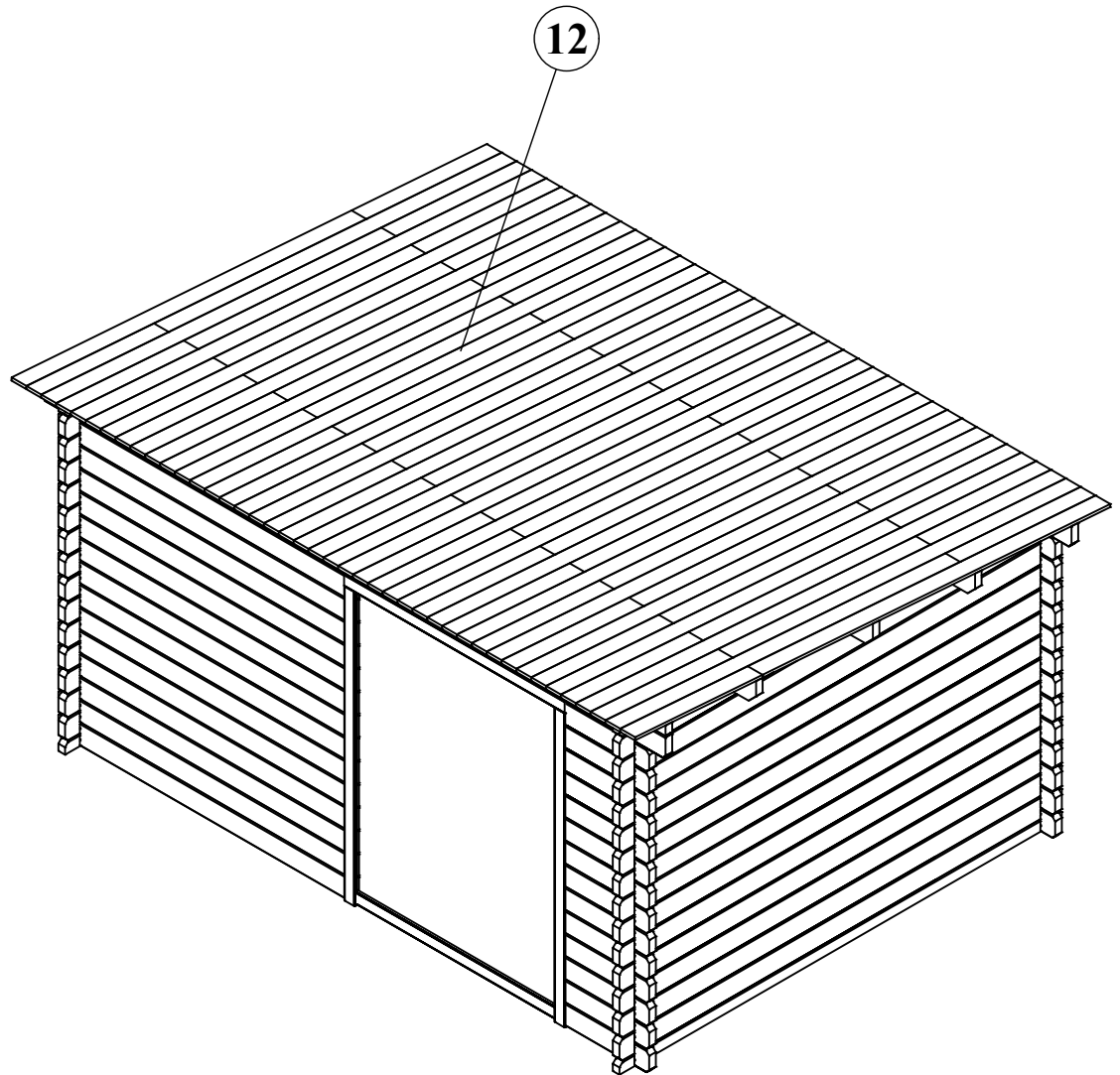
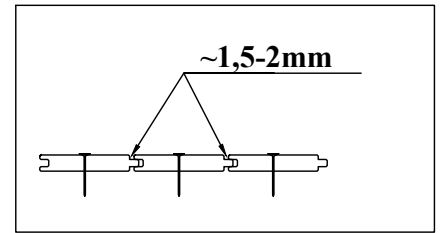
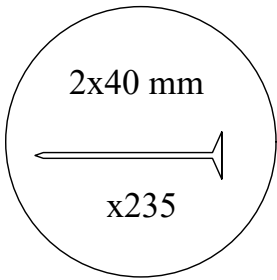
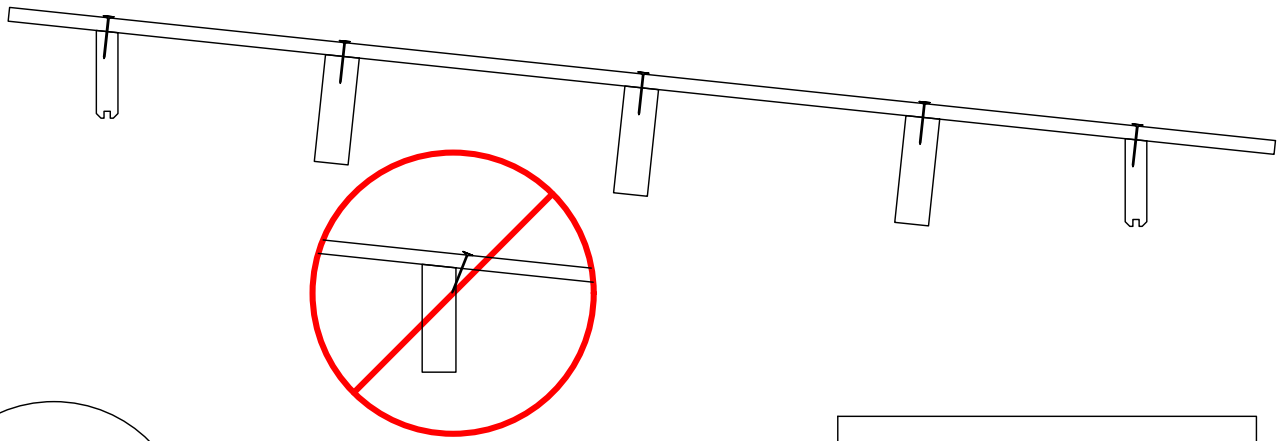


Position	Dimension (mm)	Quantity
11	4200 x 140 x 44	3

Fixing roof beams

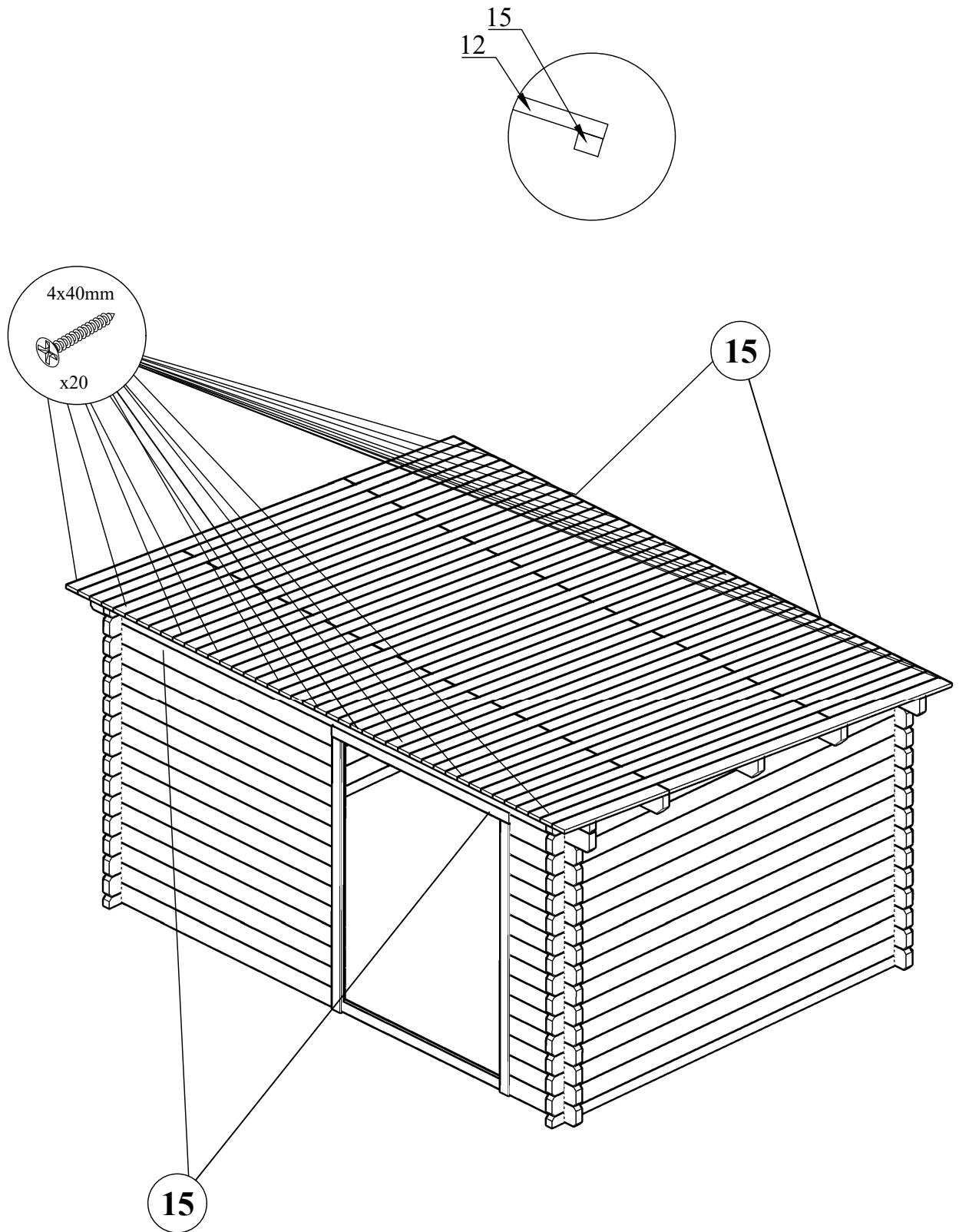


Installing the roof boards



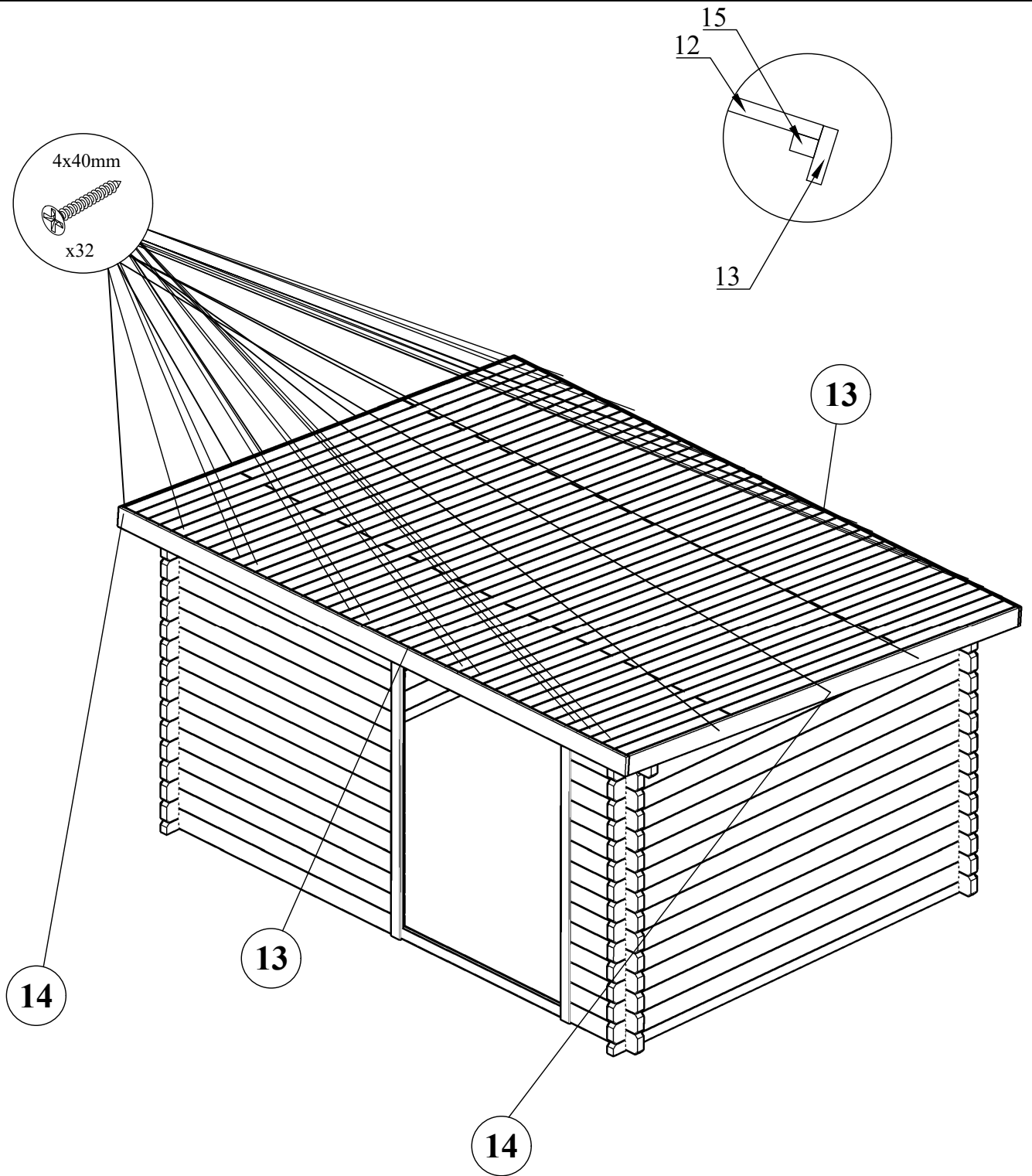
Position	Dimension (mm)	Quantity
12	3180 x 90 x 17	47+2

Installing roof boards endings



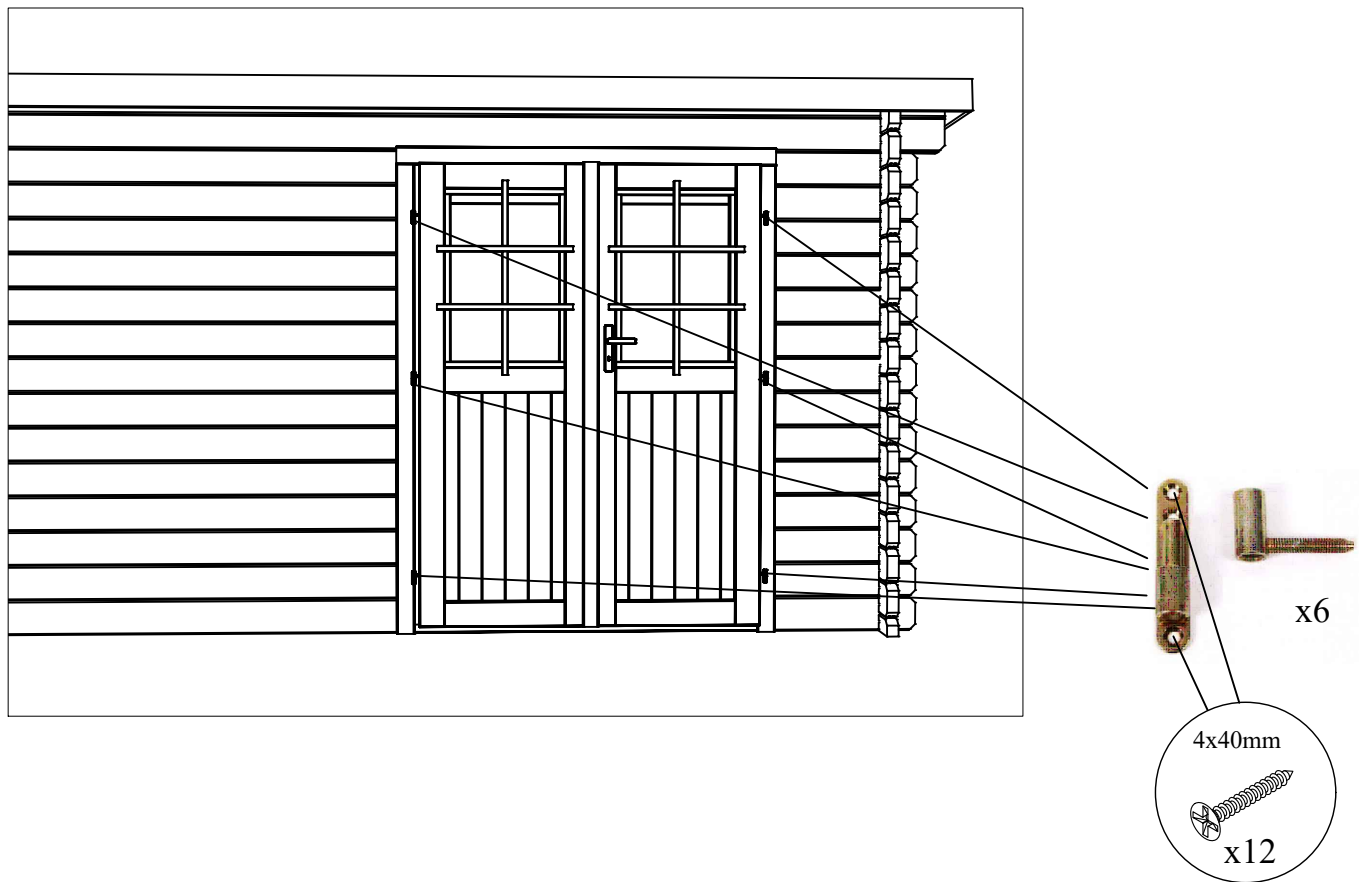
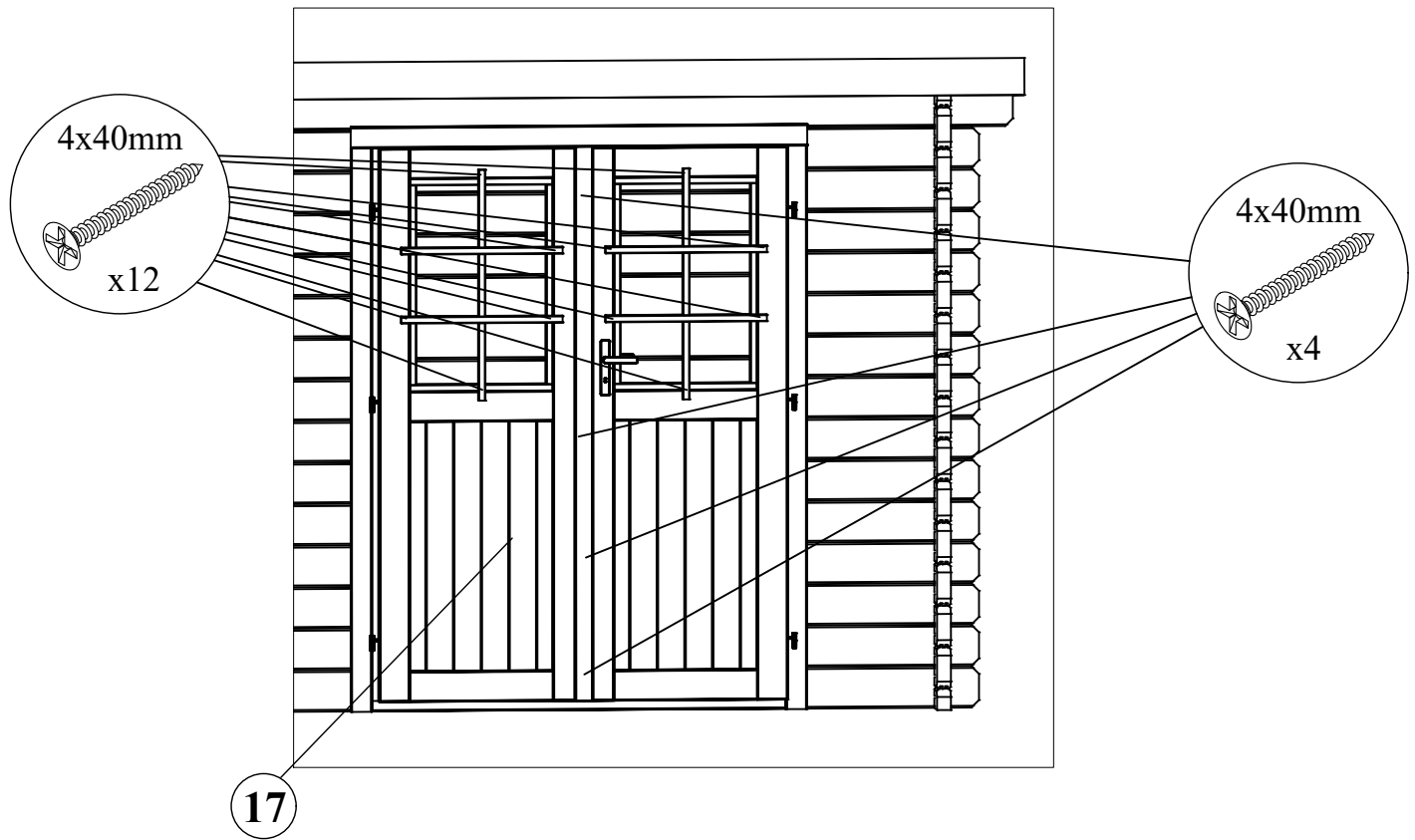
Position	Dimension (mm)	Quantity
15	2100 x 30 x 30	4

Installing fascia



Position	Dimension (mm)	Quantity
13	2120 x 90 x 19	4
14	3180 x 90 x 19	2

Installing the door



Position	Dimension (mm)	Quantity
16	1820 x 665	1 + 1

Installing the handles and the doorshuts

